

DUC

● TO-252 塑封封装电压调整器

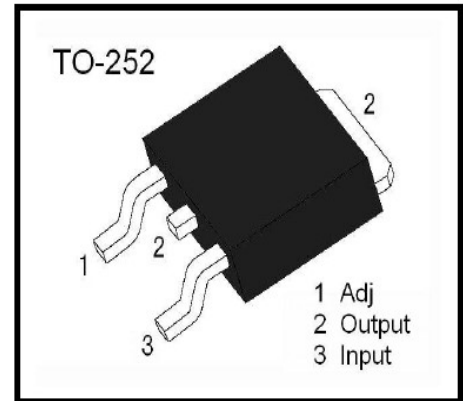
● 用途:

电压调整器

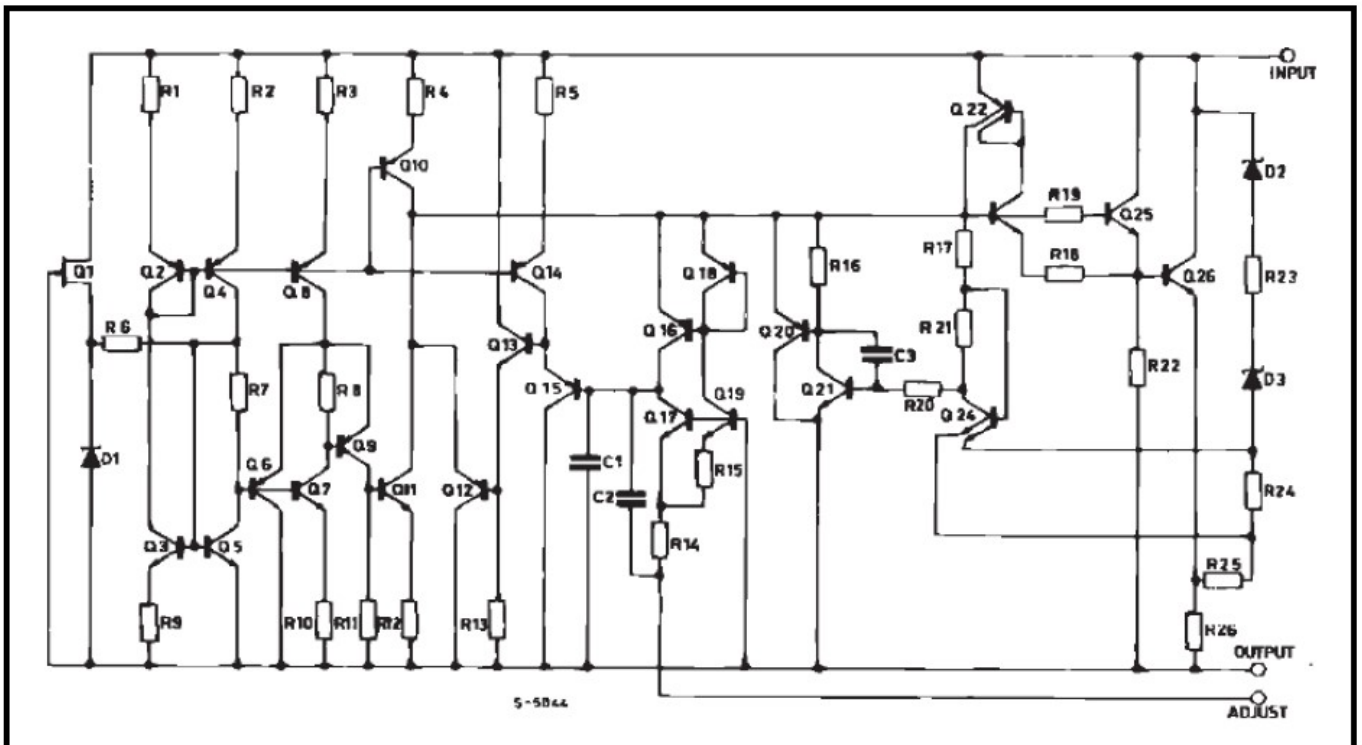
● 特点:

三端稳压调整器，输出电流超过 1.5A，

稳压输出电压在 1.2-37V 之间可调



● 内部等效电路:



DUC

● 极限参数(Ta=25°C)

Symbol	Parameter	Value	Unit
V _{I-O}	Input-output Differential Voltage	40	V
I _O	Output Current	Internally Limited	
V _O	Output Voltage	5	V
T _{OP}	Operating Junction Temperature	0~+125	°C
T _{STG}	Storage Temperature	-60~+150	°C

● 电参数(Ta=25°C)

(V_i - V_o = 5 V, I_o = 500 mA, I_{MAX} = 1.5A and P_{MAX} = 20W, unless otherwise specified)

Parameter	Symbol	Conditions	Value			Unit
			Min	Typ	Max	
Line Regulation	ΔV_O	V _i -V _o =3 to 40V	T _j =25°C		0.04	%V
					0.07	
Load Regulation	ΔV_O	V _o ≤ 5V I _o = 10mA~I _{Max} 1.5A	T _j =25°C		25	mV
					70	
		V _o ≥ 5V I _o = 10mA~I _{Max} 1.5A	T _j =25°C		0.5	%V
					1.5	
Adjustment Pin Current	I _{ADJ}	T _j =25°C			100	μA
Adjustment Pin Current	ΔI_{ADJ}	V _i -V _o = 2.5 to 40V I _o = 10mA~I _{Max} 1.5A			5	μA
Output Voltage Drift	$\Delta V / \Delta T$	I _o = 5mA		-0.8		mV/°C
Reference Voltage (between pin3 and pin1)	V _{REF}	V _i -V _o = 2.5 to 40V I _o = 10mA~I _{Max} 1.5A P _D ≤ P _{MAX}	1.2	1.25	1.3	V
Output Voltage Temperature Stability	$\Delta V_O / \Delta T$			1		%
Minimum Load Current	I _{O(min)}	V _i -V _o = 40V			10	mA
Maximum Load Current	I _{O(max)}	V _i -V _o ≤ 15V, P _D < P _{MAX}	1.5			A
		V _i -V _o = 40V, P _D < P _{MAX} , T _j =25°C		0.4		